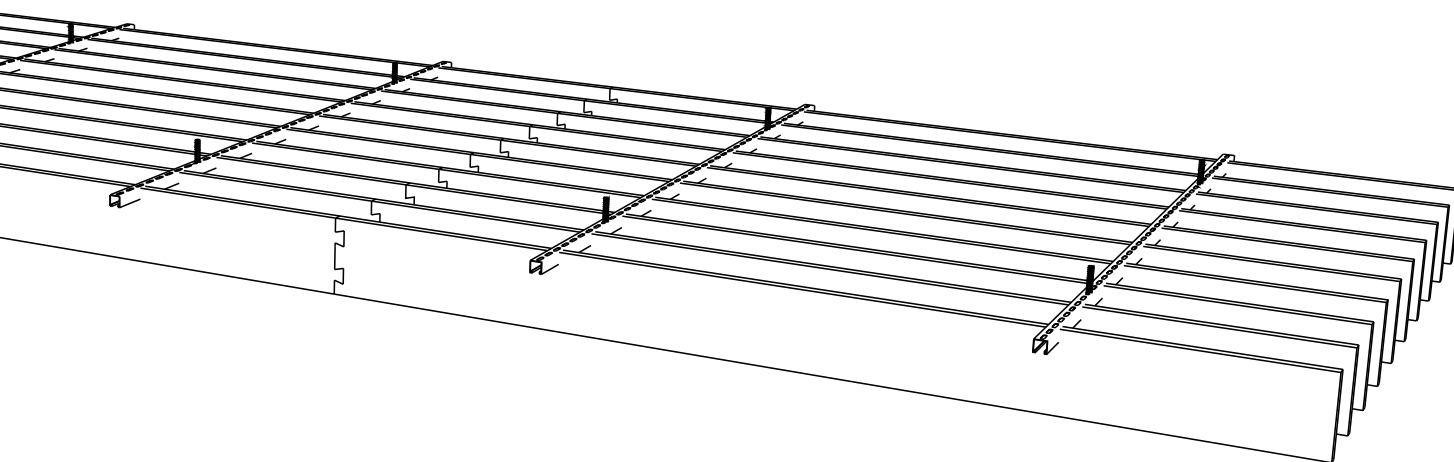


datasheet

# HILTI SYSTEM

## Ceiling Baffle



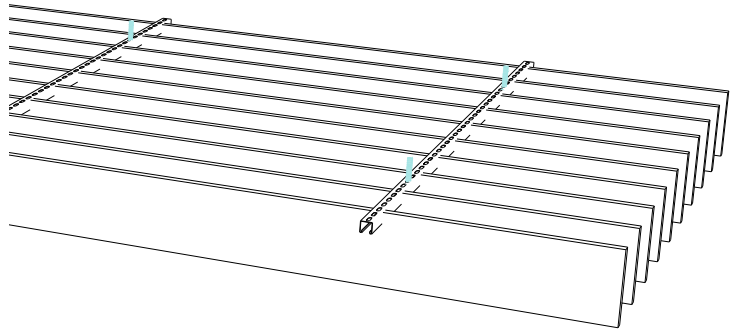
# HILTI SYSTEM

Ceiling Baffle

The baffle system can be endlessly connected and lined up by using the dovetail joints. The prefabricated cut-outs also allow an easy assembly, as the baffles can be simply pressed into the rail.

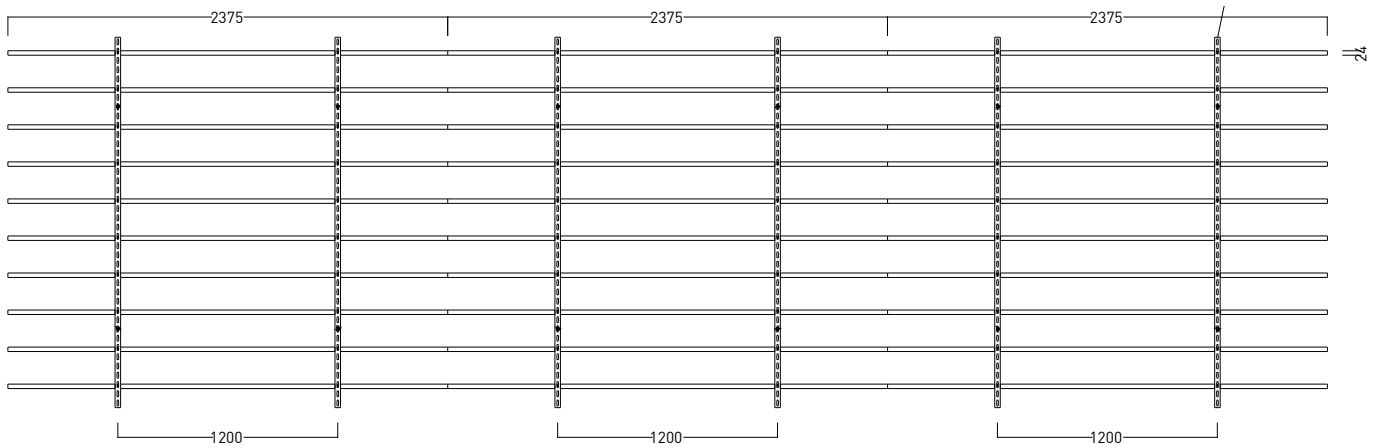
## DIMENSIONS

Length:	2400mm	94.5"
Height:	200mm	7.9"
Thickness:	24 mm	0.9"

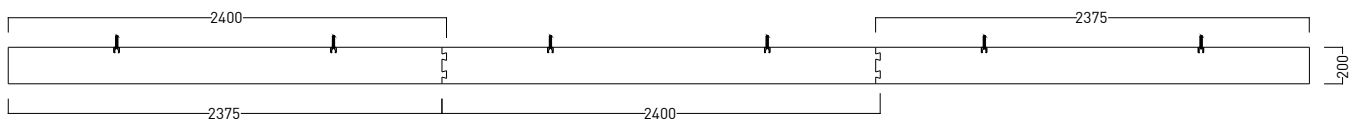


PLAN

Hilti M-strut channel  
MM-C-30  
30 x 30 x 2000mm  
#418749

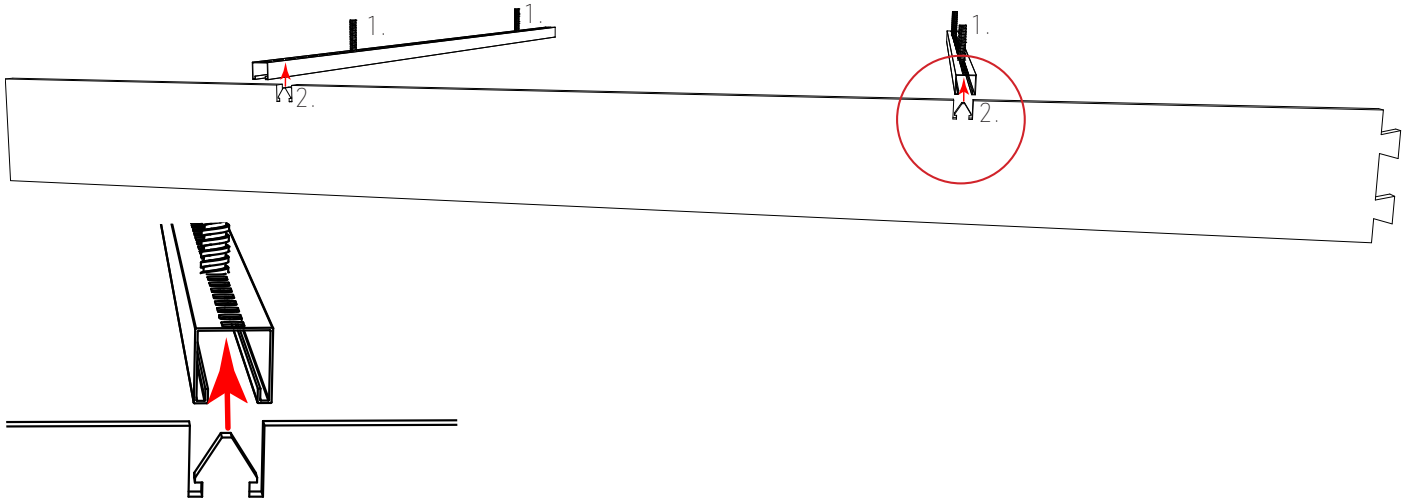


SIDE ELEVATION

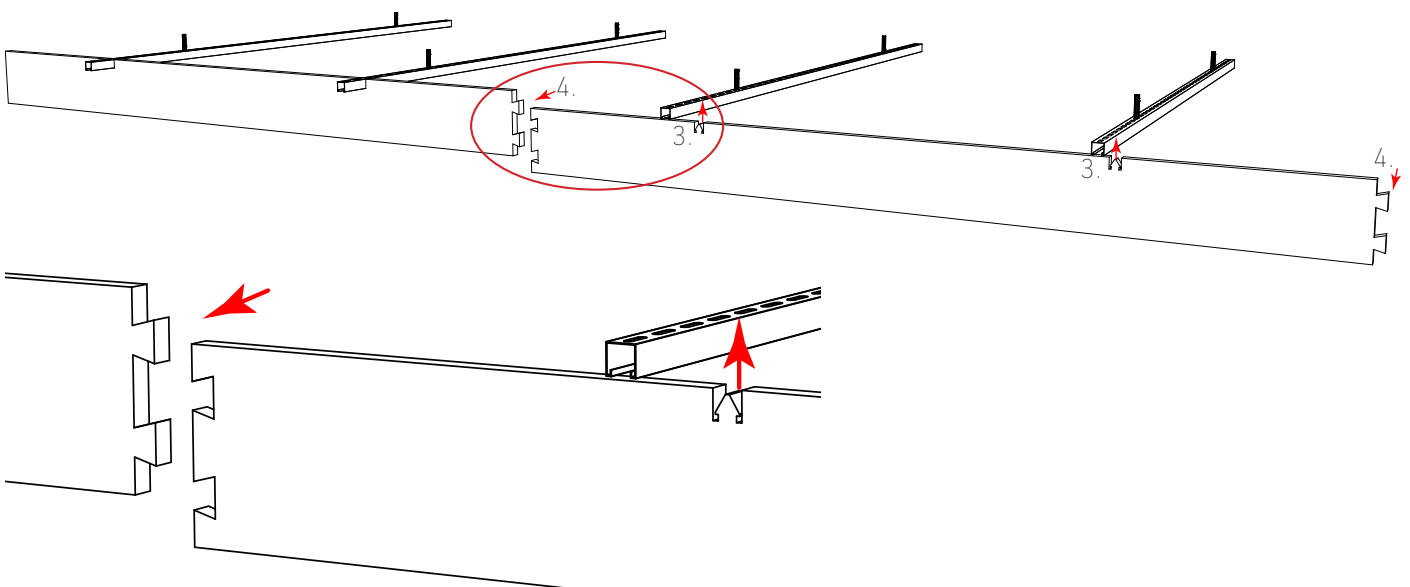


# assembly instructions

1. Mount the strut channels for example using threaded rods.
2. Insert the baffle element into the Hilti strut channels.



3. Insert another baffle element into the Hilti strut channels.
4. Connect the two baffle elements using the dovetail cutouts. Continue with the remaining elements in the same principle.



# ARCHISONIC®

Colour Families

ARCHISONIC® is a high-performance sustainable acoustic absorber made from upcycled plastic bottles which is Cradle to Cradle certified and LEED accredited.

ARCHISONIC® is manufactured at the highest quality standards, yet slight color and surface deviations caused by the high degree of recycled fiber are an inevitable part of the product characteristics and do not claim warranty services.

Material varies in colour when shown in monitor or in print. Please request a material sample to verify colours.

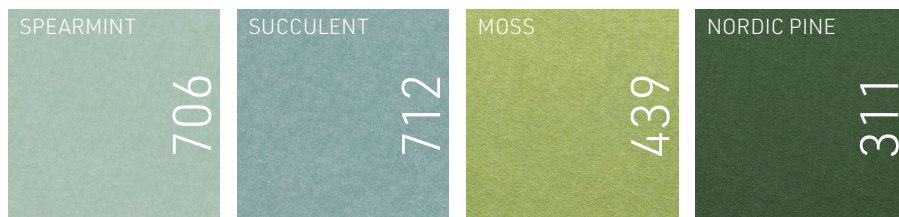
## QUIET NEUTRALS



## WARM NEUTRALS



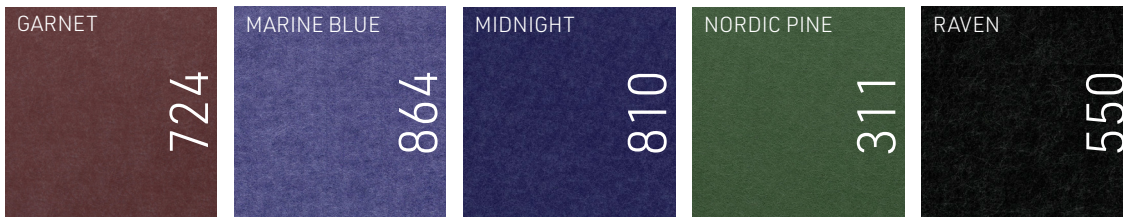
## LIVING GREENS



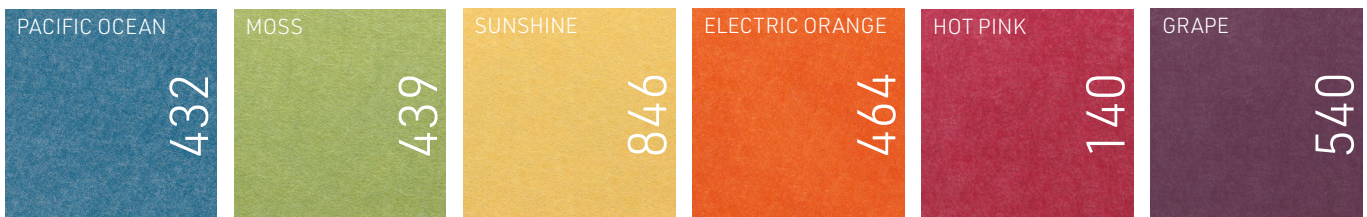
## SOOTHING PASTELS



## ELEGANT DARKS



## ENERGETIC BRIGHTS



## PRIMARY PLAY



# key data

## DIMENSIONS

ARCHISONIC® 24 mm 1800 x 2400 x 24 mm (70" x 94" x 0.94")  
ARCHISONIC® 12 mm 1200 x 2800 x 12 mm (47" x 10" x 0.47")

## COMPOSITION

100% PET (min. 60% post-consumer)

## FIRE TEST

DIN EN 13501-1 B-s1, d0  
ASTM E-84 Class A

## VOC EMISSION

CDPH 01350 Pass  
ISO 16000 (CDPH/EHLB/Standard Method V1.2.)  
EN 16516

## COLOUR FASTNESS

EN ISO 105-B02, A1 Grade 6

## SOUND ABSORPTION

DIN ISO 11654  
24 mm aw 0.55 (no airgap)  
aw 0.65 (50 mm / 2" air gap)  
aw 0.90 (100 mm / 4" air gap)  
aw 0.95 (200 mm / 8" air gap)  
aw 0.95 (300 mm / 11" air gap)  
12 mm aw 0.30 (no air gap)

## MATERIAL REUTILISATION

ARCHISONIC® 24 mm 88 plastic bottles/m<sup>2</sup>  
ARCHISONIC® 12 mm 53 plastic bottles/m<sup>2</sup>

## ENVIRONMENTAL

Cradle to Cradle Certified™  
Product qualifies for LEED v4 specifications on  
VOC emissions in LEED EQ credit  
(Low-emitting products)

## SUPPORTED BY

Climate KIC

