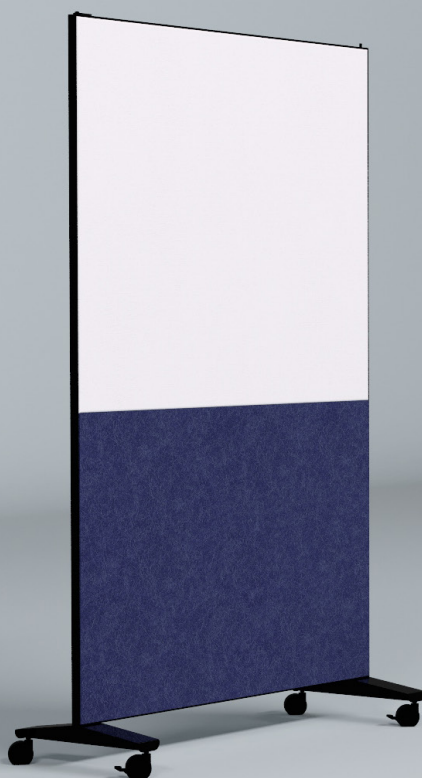


datasheet

GRAFO

Mobile Whiteboard



GRAFO

Mobile Whiteboard

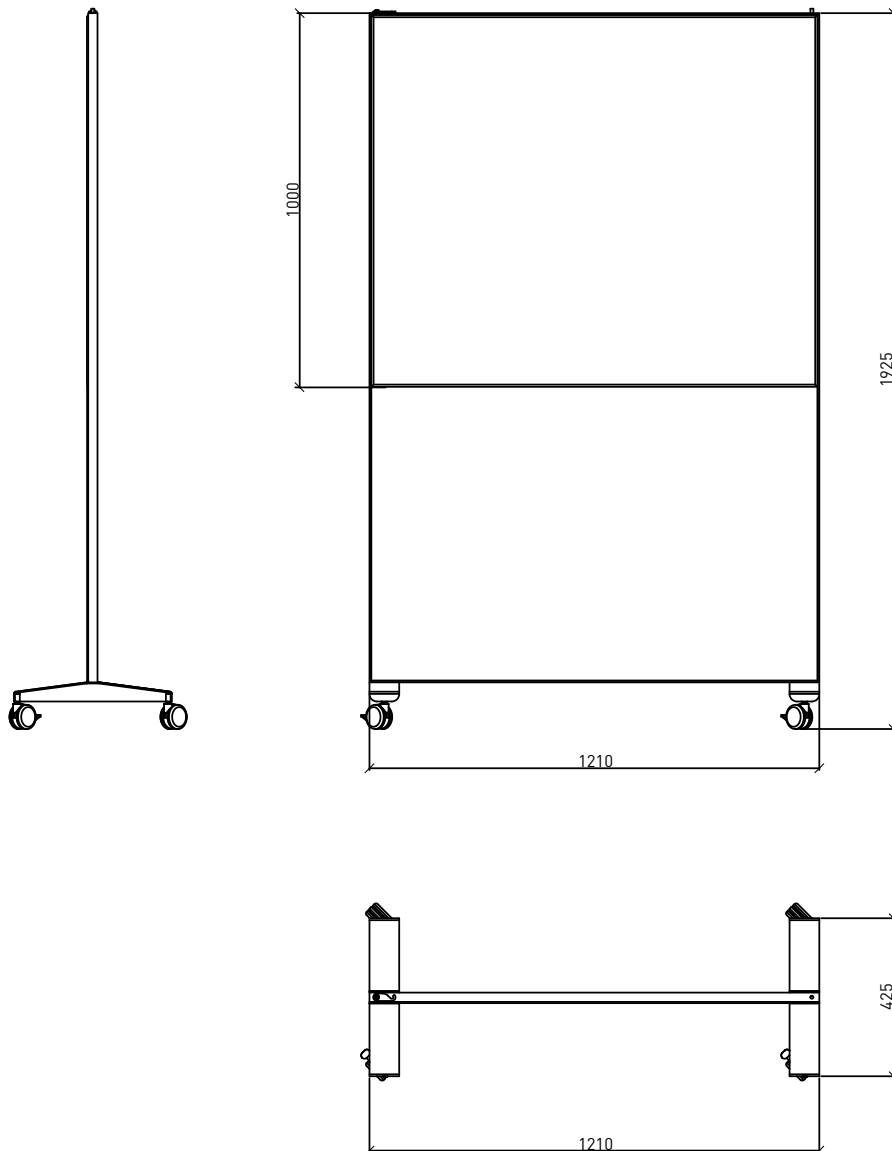
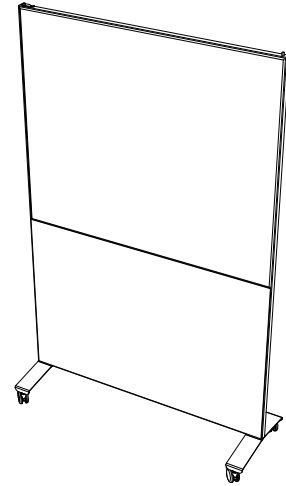
The simple, timeless design works almost anywhere. The whiteboards are easy to connect.

Dimensions

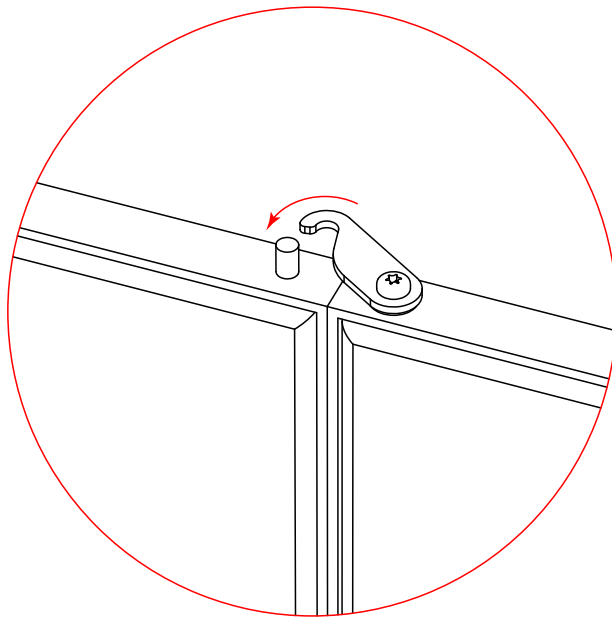
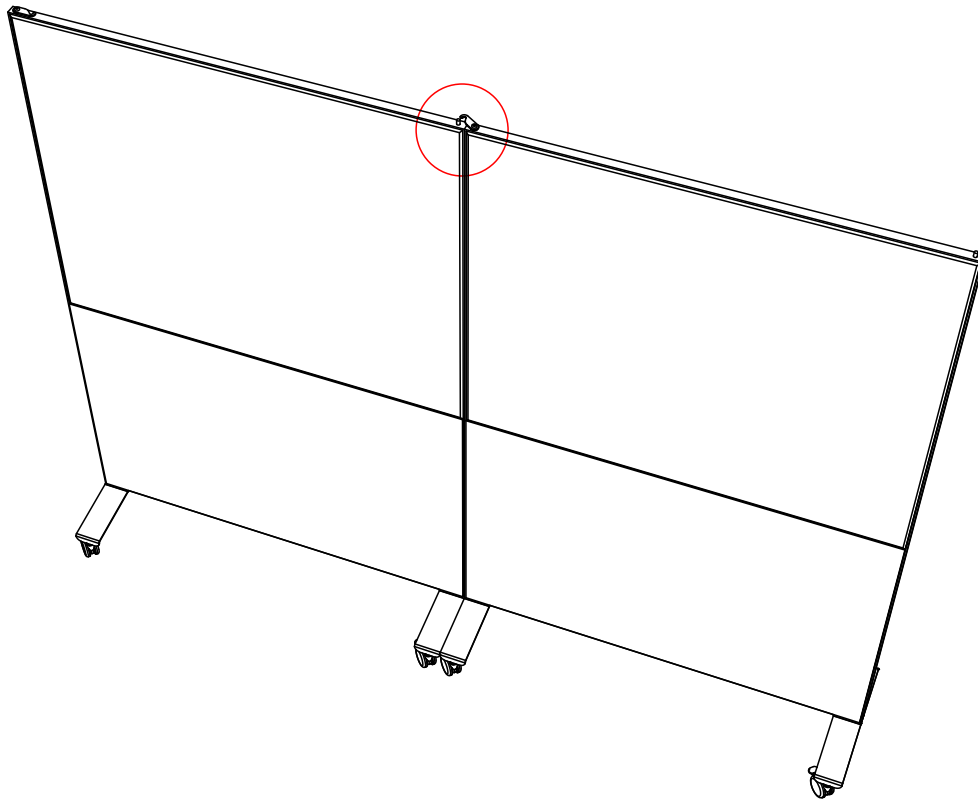
| | |
|---------|--------|
| Width: | 1210mm |
| Height: | 1925mm |
| Depth: | 425mm |

MATERIAL

| | |
|-------------|--|
| Whiteboard: | Sheet metal with whiteboard enamelling high-quality, scratch-resistant, smooth, white enamelled surface, can be written on with dry, wipeable board markers, resistant to scratching, fire, bacteria, chemicals and acid-resistant, insensitive to harsh cleaning agents, magnetic |
| Frame: | Steel RAL 9005 matt |
| Absorber: | on the back and underneath the whiteboard Archisonic 24mm colour according to collection well suited as a pinboard |
| Castors: | 4 swivel castors, two of which are lockable |



connectable



ARCHISONIC®

Colour Families

ARCHISONIC® is a high-performance sustainable acoustic absorber made from upcycled plastic bottles which is Cradle to Cradle certified and LEED accredited.

ARCHISONIC® is manufactured at the highest quality standards, yet slight color and surface deviations caused by the high degree of recycled fiber are an inevitable part of the product characteristics and do not claim warranty services.

Material varies in colour when shown in monitor or in print. Please request a material sample to verify colours.

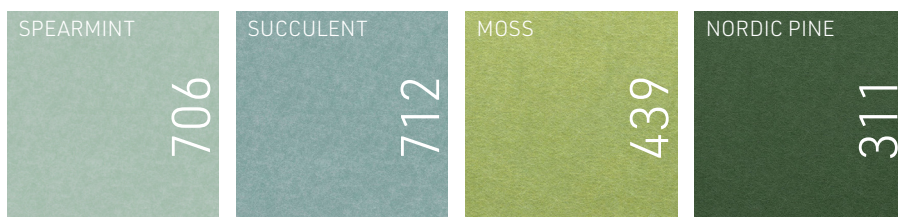
QUIET NEUTRALS



WARM NEUTRALS



LIVING GREENS



SOOTHING PASTELS

| | | | | | |
|-------------------|-------------------|-----------------|-------------------|------------------|------------------|
| SHELL PINK 102 | SOFT CORAL 516 | ICE BLUE 304 | WINTER SKY 410 | SPEARMINT 706 | SUCCULENT 712 |
|-------------------|-------------------|-----------------|-------------------|------------------|------------------|

ELEGANT DARKS

| | | | | |
|---------------|--------------------|-----------------|--------------------|--------------|
| GARNET 724 | MARINE BLUE 864 | MIDNIGHT 810 | NORDIC PINE 311 | RAVEN 550 |
|---------------|--------------------|-----------------|--------------------|--------------|

ENERGETIC BRIGHTS

| | | | | | |
|----------------------|-------------|-----------------|------------------------|-----------------|--------------|
| PACIFIC OCEAN 432 | MOSS 439 | SUNSHINE 846 | ELECTRIC ORANGE 464 | HOT PINK 140 | GRAPE 540 |
|----------------------|-------------|-----------------|------------------------|-----------------|--------------|

PRIMARY PLAY

| | | | | |
|-------------------|-----------------|-----------------|-------------------|--------------------|
| SNOW WHITE 500 | CHARCOAL 542 | SUNSHINE 846 | POSTER RED 662 | MARINE BLUE 864 |
|-------------------|-----------------|-----------------|-------------------|--------------------|

key data

DIMENSIONS

ARCHISONIC® 24 mm 1800 x 2400 x 24 mm (70" x 94" x 0.94")
ARCHISONIC® 12 mm 1200 x 2800 x 12 mm (47" x 10" x 0.47")

COMPOSITION

100% PET (min. 60% post-consumer)

FIRE TEST

DIN EN 13501-1 B-s1, d0
ASTM E-84 Class A

VOC EMISSION

CDPH 01350 Pass
ISO 16000 (CDPH/EHLB/Standard Method V1.2.)
EN 16516

COLOUR FASTNESS

EN ISO 105-B02, A1 Grade 6

SOUND ABSORPTION

DIN ISO 11654
24 mm aw 0.55 (no airgap)
aw 0.65 (50 mm / 2" air gap)
aw 0.90 (100 mm / 4" air gap)
aw 0.95 (200 mm / 8" air gap)
aw 0.95 (300 mm / 11" air gap)
12 mm aw 0.30 (no air gap)

MATERIAL REUTILISATION

ARCHISONIC® 24 mm 88 plastic bottles/m²
ARCHISONIC® 12 mm 53 plastic bottles/m²

ENVIRONMENTAL

Cradle to Cradle Certified™
Product qualifies for LEED v4 specifications on
VOC emissions in LEED EQ credit
(Low-emitting products)

SUPPORTED BY

Climate KIC

