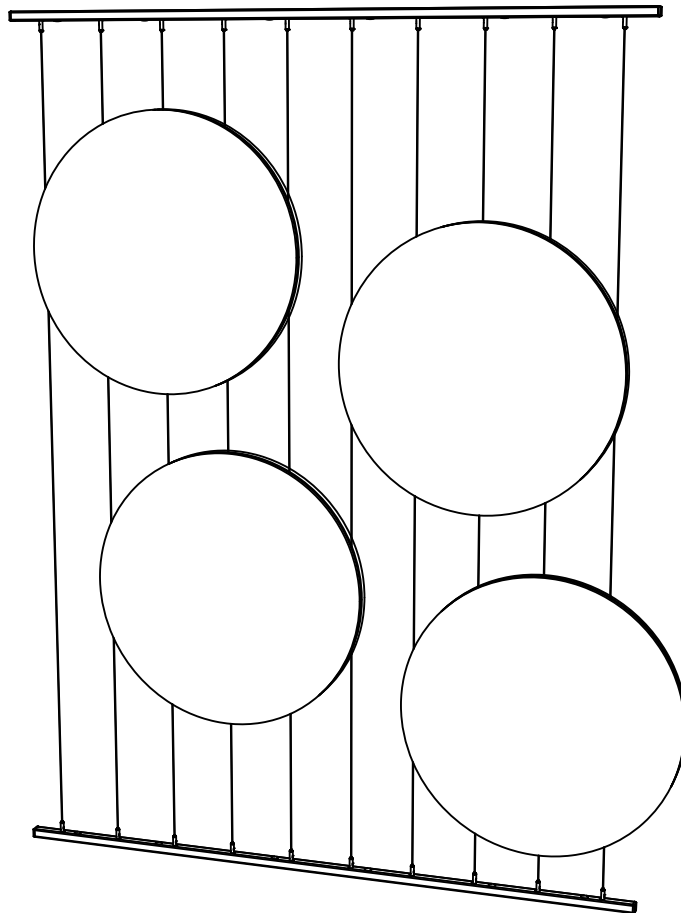


assembly instructions

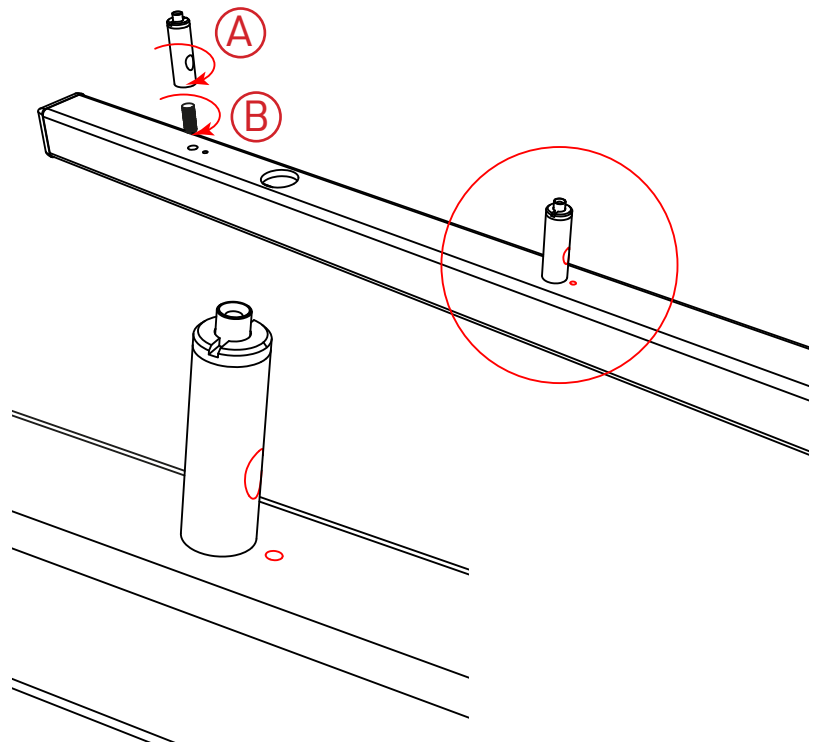
# HELIOS

## Acoustic Room Divider



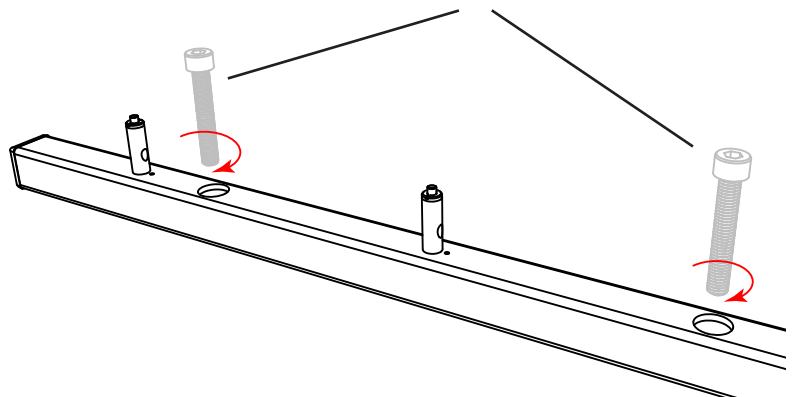
1. Screw the set screws (B) into the grippers (A). After that, the gripper can be turned into the square tube.

Make sure that the two holes are aligned as shown.

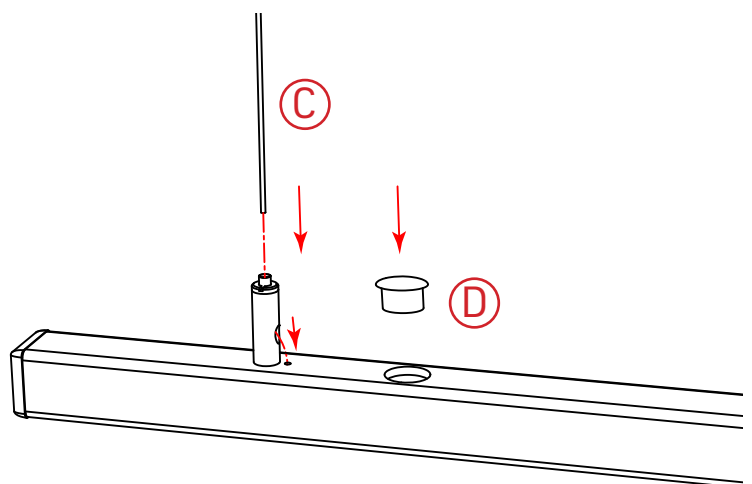


2. Screw the square tubes to the ceiling and to the floor. Do not tighten the screws completely, the square tubes should still have about 8mm of play.

These screws are not supplied. The holes on the wall side have a diameter of 9 mm and the other holes have a diameter of 15.5mm.



3. Insert the wire ropes (C) into the grippers on the ceiling. Then those on the floor can be inserted and tightened. The ends can be guided into holes provided. Now the screws are tightened and the wire ropes get enough tension. Insert the cover caps (D).

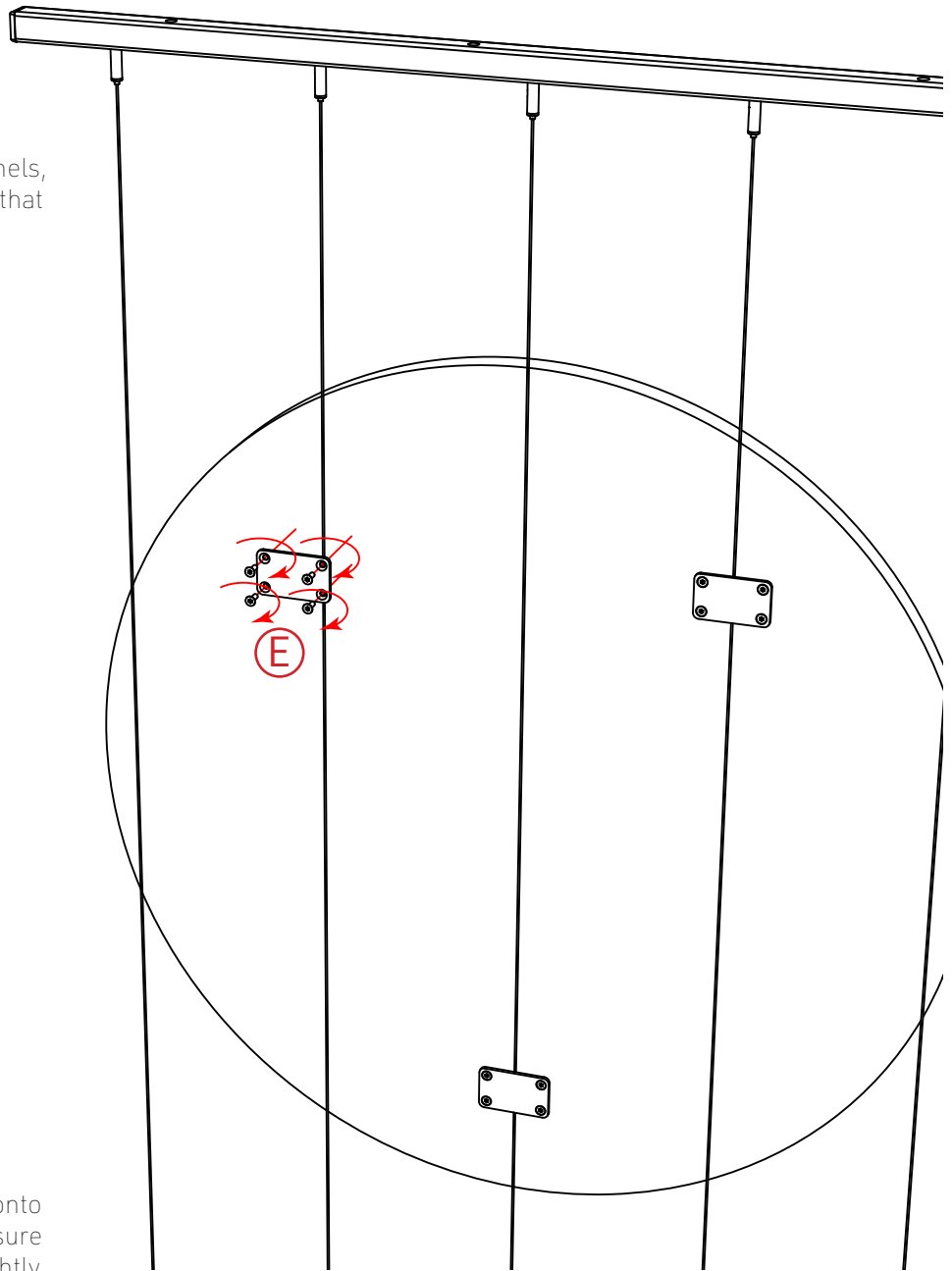


# Helios

assembly instructions

4.

Screw the base plates (E) to the panels, the positions are marked. Make sure that the screws are tightened only slightly.



5.

Now the magnets (F) are screwed onto the other half of the panels. Make sure that the screws are tightened only slightly. Now the circles with the magnets can be attached to the already mounted circles.

