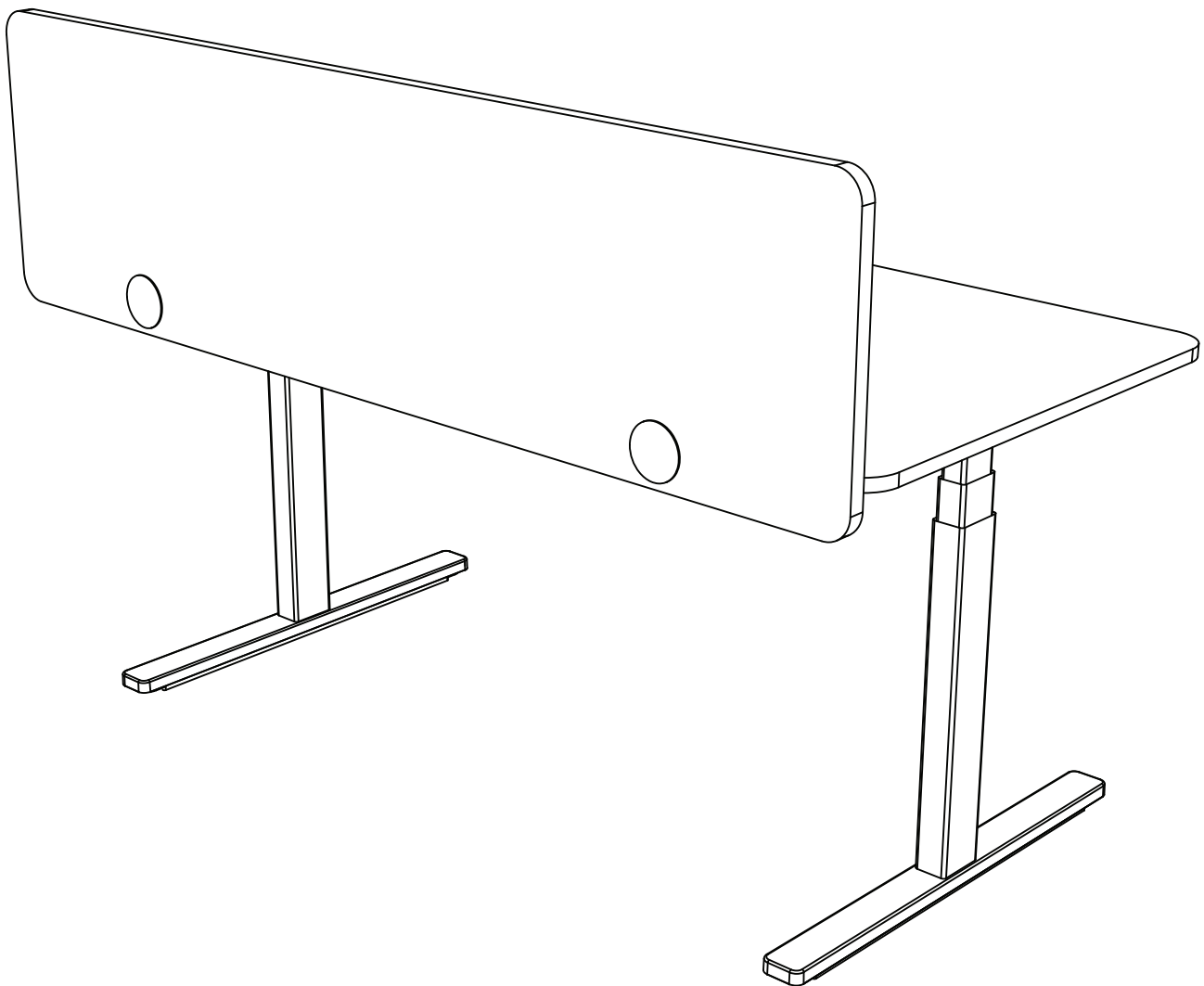


assembly instructions

DESK DIVISION

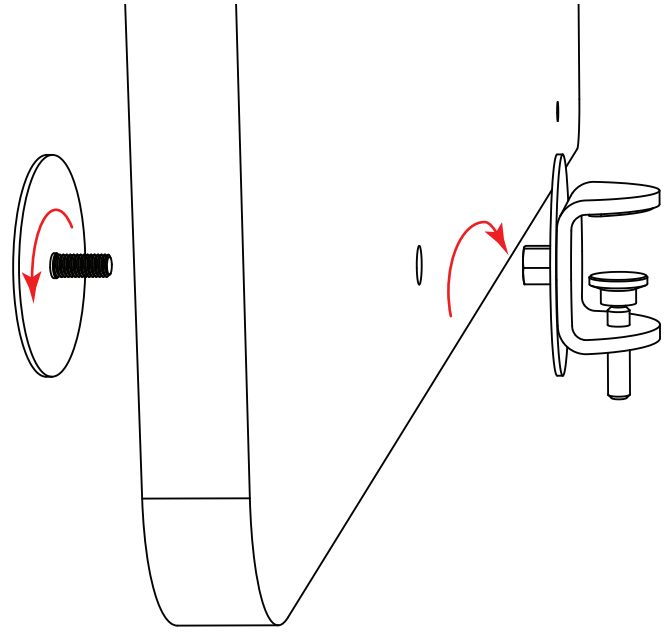
Acoustic Room Dividers



DESK DIVISION

assembly instructions

1. Mount the table adapter and the counterpart on the panel as shown.



2. Clamp the adapters to the desk top with the clamping screws.

