

viccarbe

Nagi Armchair

Designed by Tomoya Tabuchi

Catalogue - EN

2015



Tomoya Tabuchi

Tomoya Tabuchi, born in 1974, graduated in living design at Kuwasawa Design School in 1997.

After working at Japanese furniture firm on the planning, designing original products, developing products designed by overseas designers, he became independent in 2010.

In 2011, Tee table was debuted from INTERIORS (Japanese firm www.interiors-inc.jp) as his first design after independence.

His activity includes designed products, graphic design and art direction.

Nagi

“Nagi is like those places where you feel like staying because you have been treated with extraordinary hospitality.”

Armchair by Tomoya Tabuchi, 2015

Nagi was born swinging between the present and the future. Wishing to define the future from calm and reflection, moving away from emergencies and focusing on what is really important.

Designed by Tomoya Tabuchi with soft and rounded forms, the armchair arrived with the humble precept of making public and private spaces more pleasant. In order to become a reference point to which you can always go within a space. In 2015, it was incorporated into the Viccarbe collection keeping in mind the people who needed to take a break, either in its high or low back version, in its fixed version, or in its modern rocking chair, letting its silhouette simply pick them up.



On this page, a picture of four Nagis with smooth upholstery and white rocking base and two shapes: model O and model H.

On this page, Nagi Low armchair with soft upholstery and fixed base in black with an Up in the Air low table in white finish.



We find a special connection between Japanese and Mediterranean design



Nagi is like those places where you feel like staying because you have been treated with extraordinary hospitality.

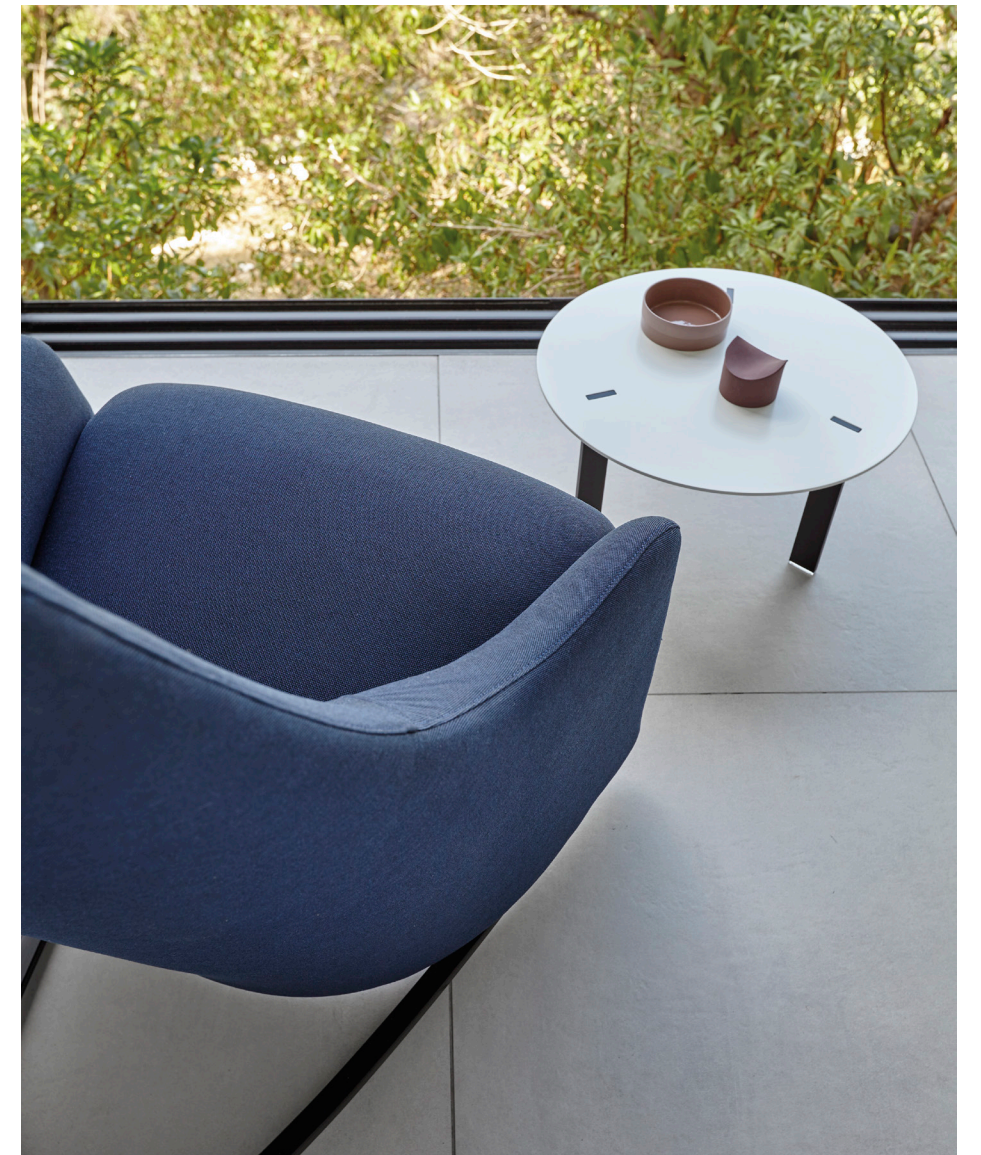
With a particularly contemporary character, as disruptive as it is pleasant in its packaging, it has managed to fit perfectly into the collection. This is an arduous task when it comes to modernization because just as with comfort, innovation is a sine qua non value for the furniture industry, a basic aspect that is taken for granted from the moment you start creating a piece. However, putting too much pressure on the accelerator

can sometimes result in something that is far from reality. This is how Nagi was born, grew and materialized: thinking about renewing the concept of the traditional rocking chair. Looking ahead, no hurry but no pause, as they say.

It is here that we find a special connection between Japanese and Mediterranean design. Both are unpretentious and specialists in relying on tradition to bring it up to date, thinking of new attitudes to create long, pleasant, proportionate and humanistic designs.



Project: Vivood Landscape Hotel



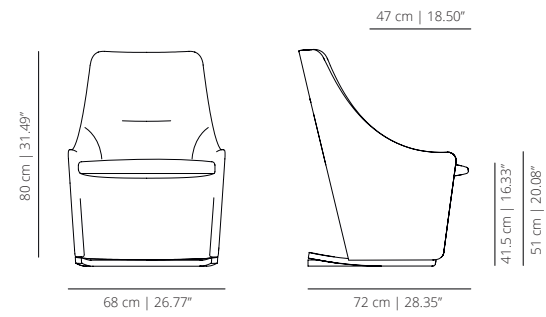


Nagi Armchair

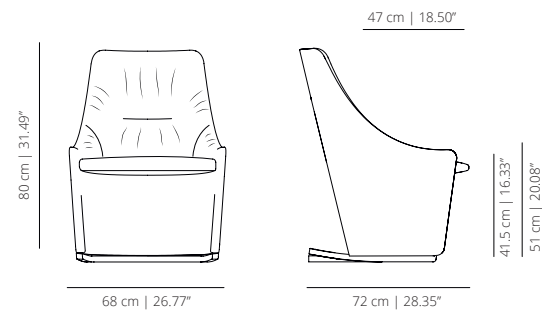
Technical Info - EN

NAGI ARMCHAIR - LOW BACKREST

NAGIB | NAGIBM
armchair fixed smooth upholstery | armchair rocking smooth upholstery

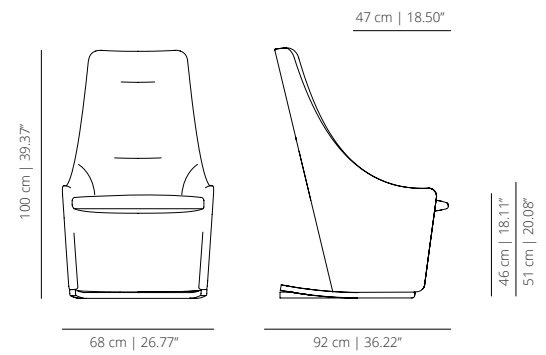


NAGIBS | NAGIBSM
armchair fixed soft upholstery | armchair rocking soft upholstery

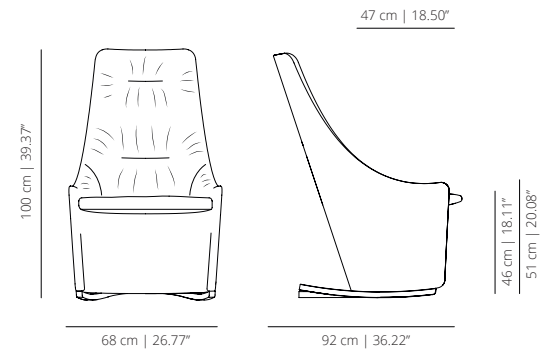


ARMCHAIR HIGH BACKREST

NAGI | NAGIM
armchair fixed smooth upholstery | armchair rocking smooth upholstery



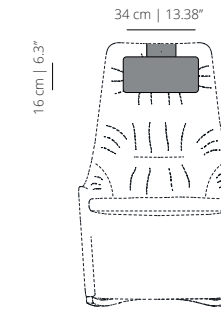
NAGIS | NAGISM
armchair fixed soft upholstery | armchair rocking soft upholstery



ACCESSORIES

NAGIRE
headrest

Accessory that adapts perfectly to the shape of the chair and the height of the user. It makes it possible to enhance comfort for situations that require prolonged sitting. Requires no installation. Available for the high chair in all fabrics of our collection.



FINISHES

Upholstery

Check upholstery samples: <https://www.viccarbe.com/wp-content/uploads/2020/02/Viccarbe-Fabrics-2020.pdf>

STRUCTURE



brass

Powder coated



white
RAL 9003



black
RAL 9005



fluor orange
RAL 2005

TECHNICAL INFO

Internal steel tube and sheet structure with undeformable moulded Fire Retardant polyurethane foam. (Certificates CAL117 and CL 1 IM). Fabric or leather.

Inferior structure– (fixed and rocking) in calibrated steel tube with brass finish or powder coated in thermoreinforced polyester, in black, white, altea blue and fluorescent orange. Nylon glides.

CERTIFICATIONS

ANSI BIFMA X5.1-2011 and UNE EN 16139:13