

Virus



Design

© Dirk Wynants, 2016, Belgium

Furniture awards

- Core77 Design Awards - notable - USA - 2017
- Henry van de velde Nominiee - Belgium - 2017
- Hip award - honoree - USA - 2017
- IF Award - GOLD - Germany - 2018
- European Product Design Award - BRONZE - USA - 2018
- NYCxDESIGN Awards - Honoree - USA - 2018
- Good design award - USA - 2018
- German Design Award - GOLD - Germany - 2019

Extremis awards

- Design Management Europe Award, 2007
- Unizo KMO Laureaat, 2008
- Green Good Design Award, 2013
- De Leeuw van de Export Award, 2003
- Hermes Creative Award, 2002
- Henry Van De Velde Award, 2001
- Duurzaam Ondernemen, POM Vlaanderen, 2016

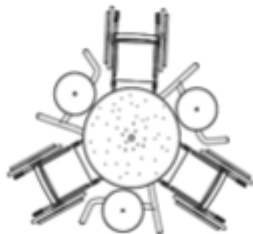
Text

Virus brings life to even the most sterile places. When you look at it from above, you can see its round shape with variously shaped arms. The compact design - for 3, 4 or 5 people - is an answer to smaller living spaces and makes it perfect to use on balconies, in urban gardens or in breakout spaces in offices or schools. Cozy togetherness everywhere! There is a Virus picnic table fit for any need.

The playful character of the Virus collection really comes to life when you combine different sizes and colors: a colorful, playful composition that fits any setting.

The strong powder coated steel of the Virus picnic table makes it suitable for inside and outside. The robust design is lightweight and stackable (if you use the right accessory). Choose the version with water drainage holes and add the Acacia parasol to create the most compact and durable outdoor dining set. Different Virus tables together transform cluttered dining settings into tidy spaces with a uniform layout.

- Suitable for indoor and outdoor use
- Available with 3, 4 or 5 seats
- Optional backrest available
- Virus picnic tables are stackable up to 3 high. Stack them with equal number of seats and the stacking spacer / purse hanger. A three-seater needs three pieces, a four-seater needs four pieces, and so on.
- Stacking spacer doubles as a purse hanger
- Floor fastening possible
- Version with flat tabletop, without drainage holes or parasol hole
- Version with tabletop with drainage holes and parasol hole of $\varnothing 38$ mm
- The holes in the tabletop are a pattern of stars in the galaxy M101 (Pinwheel Galaxy).
- Virus combines perfectly with Acacia or with Inumbrina $\varnothing 250$, $\varnothing 320$ (only with parasol base)
- Easy step-in, no need to lift your leg
- 3-seater is possible in combination with a wheelchair (or with an extra stool)



More information: www.extremis.com/en/collections/virus

Construction

Virus consists of a round tabletop with 3,4 or 5 seats.

Table top:

The table top is attached to the legs with stainless steel bolts. The table frame is protected by the paint to prevent galvanic corrosion. The table top is also glued to the table frame. We use a 2-step method with tape which ensures that the frame stays in place immediately, but we also use a special adhesive in combination with a primer that has been developed to bond powder coated pieces. This adhesive has a tensile strength of 2.18Mpa and a shear strength of 1.5MPa (DIN 53504)

Seats:

The seats are made of aluminum, but we provide stainless steel helicoils in the 4 holes. The helicoils are glued into the seats with special Loctite, which not only prevents them from coming loose, but also protects the helicoils against galvanic corrosion.

Floor fastening:

Our Virus picnic tables can be fixed to the floor, to prevent them from being moved, or worse, from being stolen. However, attaching it to the floor is not always enough, as bolts can always be unscrewed. We offer a floor fastening piece that replaces the end cap at the bottom of a table leg. A standard plastic cap is used on the underside of the legs. The nut that attaches this plastic cap to the leg is made of electrolytically galvanized steel. We strongly advise to use one piece per seat in order to attach the table firmly to the floor. A three-seater needs three pieces of floor fastening, a four-seater needs four pieces, and so on.

Weight capacity Virus seats:

This was tested according to the EN581 standard for contract use and these tests are done with a static load of 2000N (= 200kg) in the center of the seat and 1300N (= 130kg) on the edge of the seat.

Materials information

Table top: Structured powder coated ZnAlMg steel

- ZnAlMg-dipping is an alternative to hot dip galvanization and is the best choice for more detailed products that need to be coated afterwards. Thanks to its unique composition, ZnAlMg provides high level of surface and cut-edge protection, even in the most hostile environments. It is produced on a classic hot dip galvanising line which molten bath has a unique chemical composition including zinc, aluminium, and magnesium, the perfect base layer for powder coatings.
- Powder coating is a technique of applying dry paint to a part. The powdered paint is electrostatically charged and sprayed onto the object. The object is then placed in an oven and the powder particles melt and coalesce to form a continuous film. The fine textured powder-coating has a high scratch resistance, perfect for intensive use.

Table top frame: Structured powder coated electro galvanized steel tabletop frame.

- Electro galvanized (for an extra protection against rust), then powder coated
- More scratch-resistant than non structured powder coated
- It withstands 1200 hours in the salt spray test

Seats: Gestructureerd gepoederlakt aluminium

Legs: Structured powder coated stainless steel

Backrests: Structured powder coated zinc coated steel

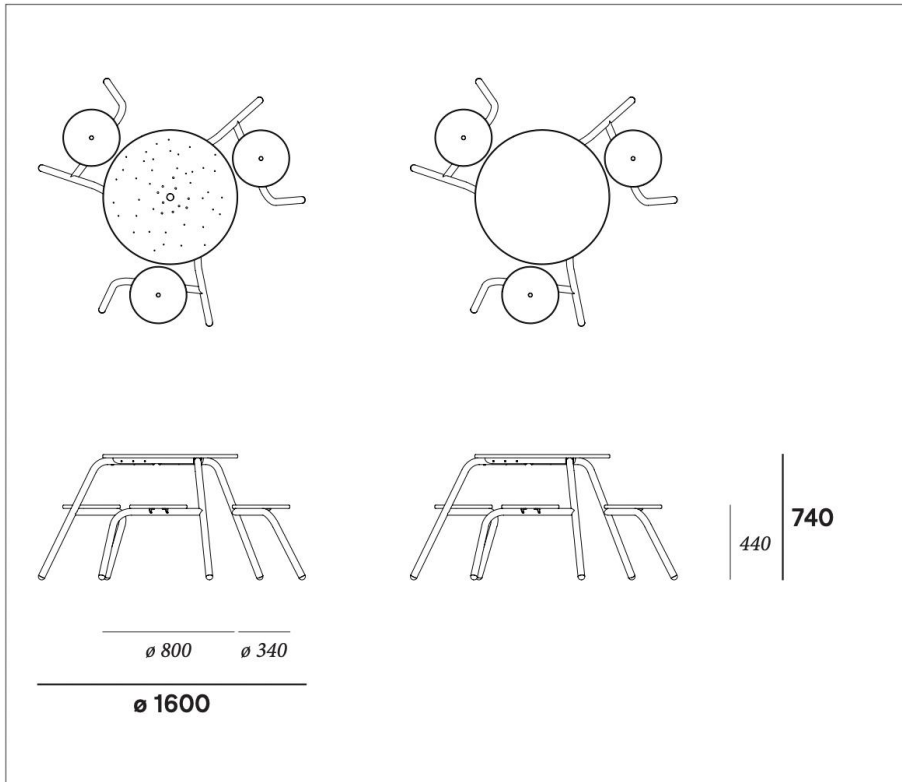
Floorfastening: Stainless steel AISI 316. Please note: at least 1 table leg per seat must be anchored, always to the left of the person sitting.

Cushions: Sunbrella

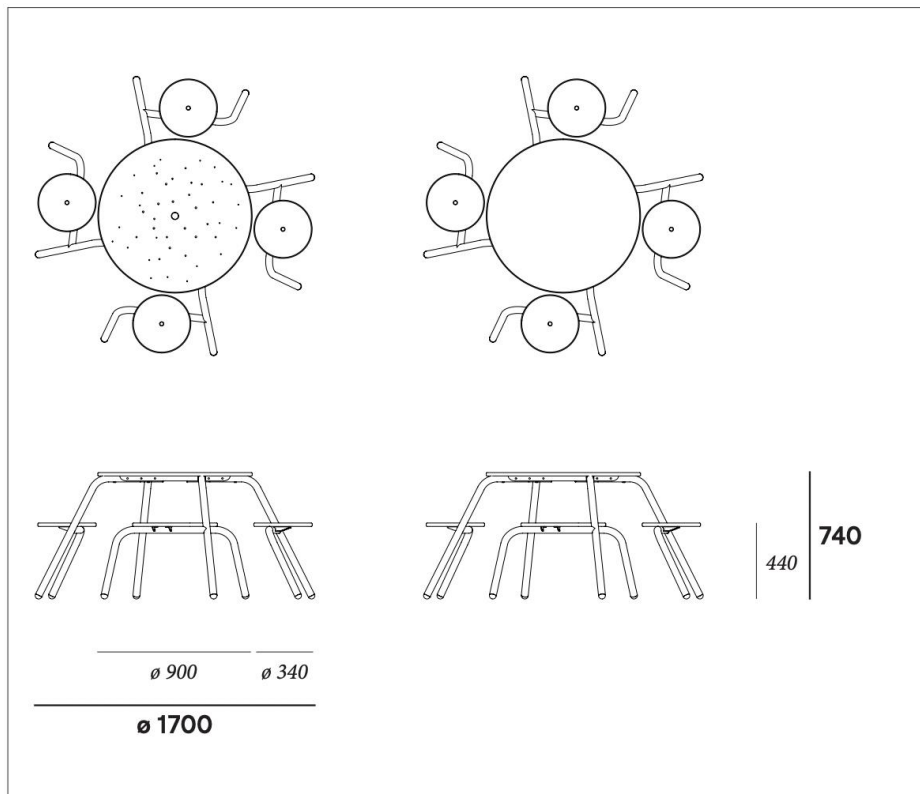
Stacking spacer & purse hanger: stainless steel with PVC cover

Dimensions

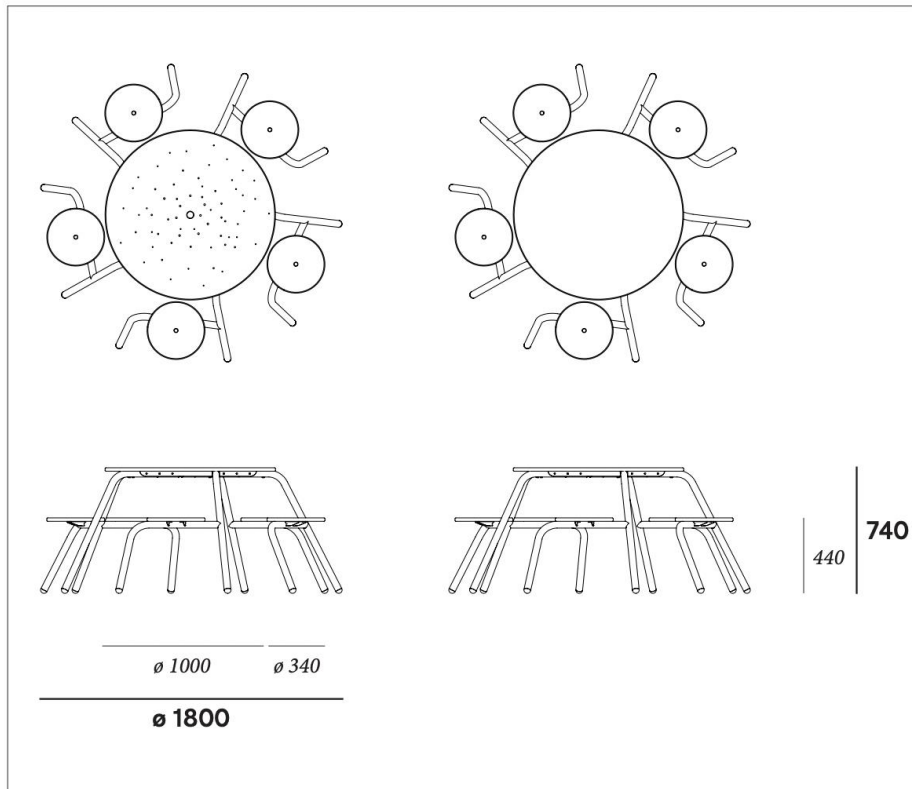
3-seater



4-seater



5-seater



Weight and transport volume

- Diameter leg Virus: 40 mm
- Virus 3-seater: weight = 32,17 kg/ piece - transport volume = 0,39 m³
- Virus 4-seater: weight = 40,98 kg/ piece - transport volume = 0,40 m³
- Virus 5-seater: weight = 50,63 kg/ piece - transport volume = 0,48 m³
- Rugleuning: weight = 1,91 kg/ piece - transport volume = 0,06 m³
- Cushion: weight= 0,31 kg/piece
- Floor fastening: weight= 0,13 kg/piece

View more details on the technical factsheet at www.extremis.com/en/product-downloads

Standards

- NEN-EN13501-1 A (flame retarding stainless steel and galvanized steel)

Guarantee

The entire Extremis collection has a 2-year guarantee, based on the provisions in our general guarantee terms & conditions.

Maintenance

Clean regularly with lukewarm water and a mild detergent. Do not use aggressive products or scouring pads. If necessary, use a soft brush to remove encrusted dirt. Still dirty? Try a miracle sponge. Dip the miracle sponge briefly in water. Rub the sponge over the stain. It

acts like a gum. Do not rub too hard or too long as this can cause matte spots. Our miracle sponge is the last resort.

More info: <https://www.extremis.com/maintenance>

Applications

- Indoor
- Outdoor
- Residential
- Businesses
- Hospitality
- Educational institutions
- Healthcare
- Public spaces

Assembly

For more info please see manual: www.extremis.com/nl/product-downloads

Environmental management

View Extremis sustainability report: <https://www.extremis.com/sustainability>