



Hopper picnic



Design

© Dirk Wynants, 2010, Belgium

Furniture awards

- German Design Award, 2012
- Good Design Award, 2011
- Henry Van De Velde label, 2011
- Idea Award, 2011
- IF Award, 2011
- Interior Innovation Award, 2011
- md Award, 2011
- Province of West Flanders Award, 2011
- Red Dot: best of the best Award, 2011

Extremis awards

- Design Management Europe Award, 2007
- Unizo KMO Laureaat, 2008
- Green Good Design Award, 2013
- De Leeuw van de Export Award, 2003
- Hermes Creative Award, 2002
- Henry Van De Velde Award, 2001
- Sustainable Enterprise, POM Vlaanderen, 2016

Text

Hopper is a functional solution for the classic concept of the picnic table. Thanks to its four access zones there is no longer any reason to climb over benches or to disturb table companions. The silhouette, with its concealed legs and sloping table edges is inspired by the hop fields that you find in the “Westhoek” area of Belgium. If you turn around, you can use the table as a comfortable back support. Aluminium or steel legs combined with premium hardwood guarantee the durability of the materials, whilst the fixed benches ensure sleek aesthetics. This modern picnic table with bench is available in four sizes and provides

seating for at least four, six, eight, ten, ... persons. With the Hopper Shade to go with it you have the perfect set!

- Consists of one element with 2 benches with a wooden seating surface
- Metal or aluminium legs that attach the table leaf to the bench
- Robust, durable materials (suitable for intensive use in public spaces and in a maritime climate)
- 4 different lengths 180, 240, 300 and 360 cm (4 to 10 persons)
- Characteristic curved legs that serve as 4 access zones
- Table top and benches made from sustainability category 1 'Iroko' tropical hardwood or thermally treated 'Hellwood' ash with PEFC label.
- Table top and benches are fully supported by a galvanized steel frame.
- Legs made from hot dip galvanized steel or coated aluminium (in black, Verdigris, Reed green, Earth and white as standard, custom colour possible on request)
- Low maintenance
- Suitable for indoors and outdoors
- Optional sun protection (Hopper shade)
- Optional ground fastening
- Optional back support
- Optional (for indoor use) felt protective sheet
- Weight: from 115 to 254.40 kg
- Packaging serves as assembly table

More info: www.extremis.com/hopper

Construction

Table leaf

- Wooden sections of Iroko (optional with FSC label) or Hellwood (standard PEFC label)
- Supporting frame made from hot dip galvanised steel

2 benches:

- Wood Iroko, optional FSC label or Hellwood (standard PEFC label)
- Thermally galvanised steel
- 180 cm: max. 4 persons or 320 kg per bench
- 240 cm: max. 5 persons or 400 kg per bench
- 300 cm: max. 6 persons or 480 kg per bench
- 360 cm: max. 7 persons or 560 kg per bench

4 legs: hot dip galvanized steel or powder coated aluminium

Powder coated aluminium standard colours: black, white, Verdigris, Reed green, Earth.
Custom colour available on request (RAL colours only).

Optional back supports: Galvanized steel or powder coated aluminium

Optional cushions: Sunbrella acrylic

Optional set of 4 ground fastenings: stainless steel

Optional set of 4 felt protective covers for indoor use: anthracite grey felt

Materials info

Iroko:

- Tropical hardwood, sustainability category 1
- FSC certificate available
- Chain of Custody
- Thickness of benches and table top: 30 mm (+- 2 mm)
- Density of table top and benches: 600 to 700 kg/m³
- Suitable for indoors and outdoors
- The wood is untreated on delivery; untreated wood turns grey in colour over time
- Natural product with a warm appearance
- Very quick drying time after a rain shower
- Feels comfortable in all weather conditions
- If the wood is stained or scratched, this can be removed by lightly polishing the wood. It's recommended to oil the wood annually for easier maintenance and to counteract the greying effect.

Hellwood:

- Hellwood is a European ash that is thermally treated, sustainability category 1
- PEFC label for sustainable forest management
- Thickness of benches and table top: 30 mm (+- 2 mm)
- Density of table top and benches: 600 kg/m³
- Suitable for indoors and outdoors
- The wood is untreated on delivery; untreated wood turns grey in colour over time
- Natural product with a warm appearance
- Very quick drying time after a rain shower
- Feels comfortable in all weather conditions
- If the wood is stained or scratched, this can be removed by lightly polishing the wood. It's recommended to oil the wood annually for easier maintenance and to counteract the greying effect.

Hot dip galvanized steel (table frame, bench, legs and back support):

- Hot dip galvanizing provides a protective layer
- Longlasting
- Low maintenance
- 100% recyclable
- Cradle to Cradle Certified
- Thickness of table top and bench: 2-6 mm, thickness of legs and back support: 8 mm
- Layer thickness 50-100 microns
- Density: 7.5 10³kg/m³
- Outdoors and indoors
- Very good UV-resistance, galvanized steel will be less shiny over time
- Flame retarding (NEN-eN13501-1 A1)
- Galva Power C2C certificate

Aluminium (legs and back support in textured coating):

- Eco-design: 10 table legs fit exactly in a standard sheet of metal, no material waste

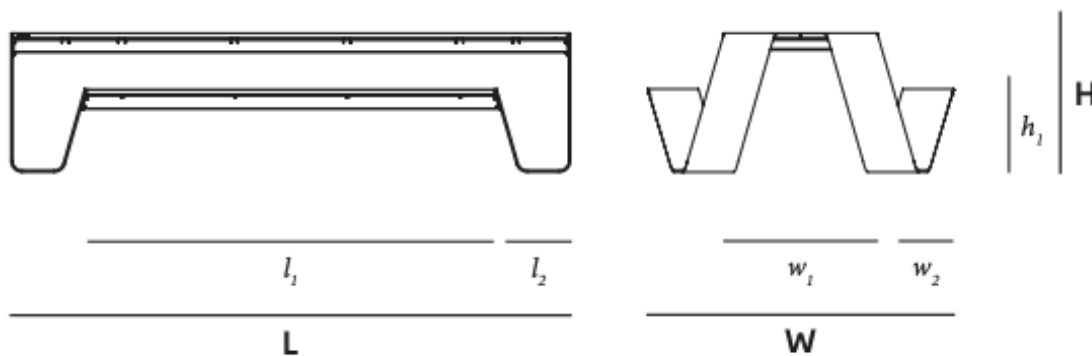
- Texture coating is sprayed dry on an object that is electrostatically charged.
- More scratch-resistant than non-textured coatings
- Thickness 10 mm
- Layer thickness 50-100 microns
- Density: $2.70 \cdot 10^3 \text{kg/m}^3$
- Outdoors and indoors
- Very good UV fastness
- Flame retarding (NEN-EN13501-1 A2-s1)

All fixing materials are manufactured from stainless steel and are equipped with various security systems, both chemical (loctite, precoat) and mechanical (open retaining rings, corrugated O-rings).

Sunbrella cushions (benches):

- 100% Sunbrella Acrylic (dyed in the mass)
- Best outdoor material for the manufacture of cushions
- Dirt-repellent
- Not waterproof, to be stored indoors
- Machine washable up to a max. 30°C, not in the dryer, may be cleaned with bleach
- Thickness: 0.50 mm
- Density: 260 g/m²
- Outdoors and indoors
- The material has a water column of 350 mm (EN 20811)
- Very good UV-fastness (7/8 (ISO105-B02))

Dimensions



Dimensions (mm)	L	W	H	l_1	l_2	w_1	w_2	h_1
Hopper picnic 180	1780	1628	740	995	382	832	278	440
Hopper picnic 240	2380	1628	740	1595	382	832	278	440
Hopper picnic 300	2980	1628	740	2195	382	832	278	440
Hopper picnic 360	3580	1628	740	2795	382	832	278	440

Weight and transport volume

- 180 cm, hot dip galvanized legs: 169 kg and 0.79 m³
- 180 cm, aluminium powder coated legs: 115.60 kg and 0.79 m³
- 240 cm, hot dip galvanized feet: 199.80 kg and 0.90 m³
- 240 cm, aluminium powder coated feet: 146.20 kg and 0.90 m³
- 300 cm, hot dip galvanized legs: 224 kg and 1.05 m³
- 300 cm, aluminium powder coated legs: 170.40 kg and 1.05 m³
- 360 cm, hot dip galvanized legs: 254.40 kg and 1.19 m³
- 360 cm, aluminium powder coated legs: 200.80 kg and 1.19 m³

View more details on the technical factsheet at <https://www.extremis.com/en/product-downloads/hopper-picnic>

Standards

- NEN-EN13501-1 A (Inox and galvanized steel, flame retarding)
- ISO 105-B02 (Sunbrella) (UV resistance)
- EN 20811 (Sunbrella)

Certificates

- TUV
- BIFMA
- FCS
- PEFC
- Cradle to Cradle

Guarantee

The entire Extremis collection has a 2-year guarantee, based on the provisions in our general guarantee terms & conditions.

Maintenance

Wood

- Little maintenance required, but the better it is treated, the longer it will last.
- Regularly/after use: wet cloth.
- To remove stubborn dirt residues, use a hard brush and water.
- Once to twice per year: clean thoroughly. We recommend that this is done in the spring and just before winter.
- Oil before the first use and once per year. An oiled table will absorb liquids less quickly and therefore remains clean for longer.
- Every 2 to 4 years: polish with a sander. After a few years, the wood will display cracks and can become slightly misshapen. This is perfectly normal as wood is a natural and living material. The great advantage of solid wood is that you can sand down the top surface to make the surface even and smooth once more. Use a hand sander for this (do it on a dry day). Use 80-grain sandpaper for this.
- Any cracks can be hand sanded. Use 80-grain sandpaper for this. Be careful not to permanently damage the fibres. It is for this reason that a high-pressure washer should never be used to clean wood.

Frame/legs:

Regular cleaning with lukewarm water and mild cleaning product. Use a soft brush to remove any caked-on dirt.

More info: <https://www.extremis.com/maintenance>

Applications

- Indoor
- Outdoor
- Residential
- Businesses
- Hospitality
- Educational institutions
- Healthcare
- Public spaces

Assembly

Integrated packaging design reduces assembly time and the packaging for the legs can serve as an assembly table. For more info please see manual:

<https://www.extremis.com/en/product-downloads/hopper-picnic>

Environmental management

View Extremis sustainability report: <https://www.extremis.com/sustainability>